

Micro Speaker

Model: OSR1813E-2.5TB0.7W8A



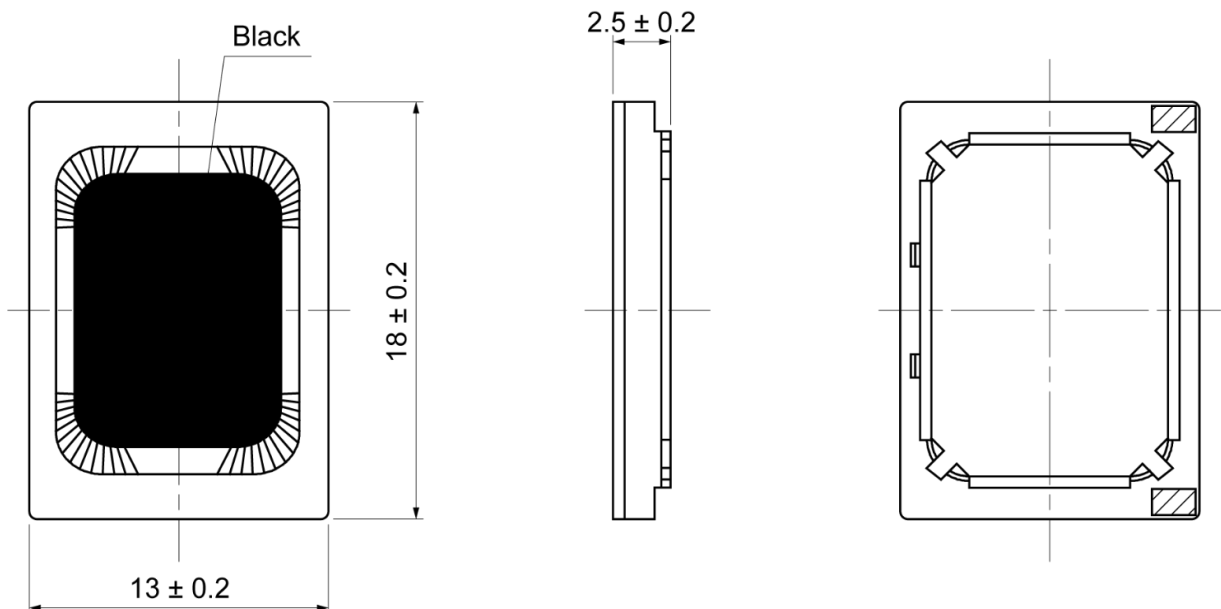
ELECTRICAL SPECIFICATIONS

| | Condition | Parameter | Unit |
|-------------------------|---|-------------|------|
| Sound Pressure Level | at 0.7W, 10cm [at 2.0KHz] in 1cc box | 93 ± 3 | dB |
| Impedance | at 2.37V, 2000Hz | 8 ± 15% | Ω |
| Rated Input Power | | 0.7 | W |
| Max Input Power | | 1 | W |
| Resonant Frequency (Fo) | at 2.37V, 10cm, in 1cc box | 1100 ± 20% | Hz |
| Frequency Range | | 500 ~ 10000 | Hz |
| Buzzer & Rattles | not be audible at sine wave between 500 ~ 10KHz | 2.37 | V |
| Operating Temperature | | -20 ~ 70 | °C |
| Magnet | | Nd-Fe-B | |
| Frame Material | | PPA | |
| Cone Material | | PEEK | |
| Weight | | 1.8 | g |

MECHANICAL DRAWING

Dimensions in mm

Tolerance ±0.2mm Except Specified



Micro Speaker

Model: OSR1813E-2.5TB0.7W8A

FREQUENCY RESPONSE CURVE

Testing Condition: 2.37Vrms / 10cm / 1cc box

